



## PM Powerful

Pneumatic Manipulator with Rigid Arms



## Pneumatic Manipulators with Rigid Arms



*Powerful Pneumatic Manipulator,  
750 kg carrying capacity version,  
displayed with the vacuum operated fixture  
designed to carry a bathtub.*

Powerful Pneumatic Manipulators are designed to move operator-centered loads within the work area with minimum effort. It balances the weight of the load, allowing the operator to carry the load quickly and safely.

Manipulators, either floor mounted or ceiling mounted. Powerful is equipped with special gripping tools which are particularly suitable to manually handle center offset loads in any direction, in a weightless condition. The manipulator, which consists of two arms, has a total of two brakes on the arm rotation axis. It's versatile structure allows it to fit in any working environment.

Works with dry, filtrated (40  $\mu\text{m}$ ) and oil free compressed air (min. 0.7/0.8 MPa).

**750 kg** max. weight capacity. **4.500 mm** max. radius. **2.450 mm** vertical lift.  
**270 nl/min** max. air consumption.

## Mounting Options

### Powerful Column Mounted PY



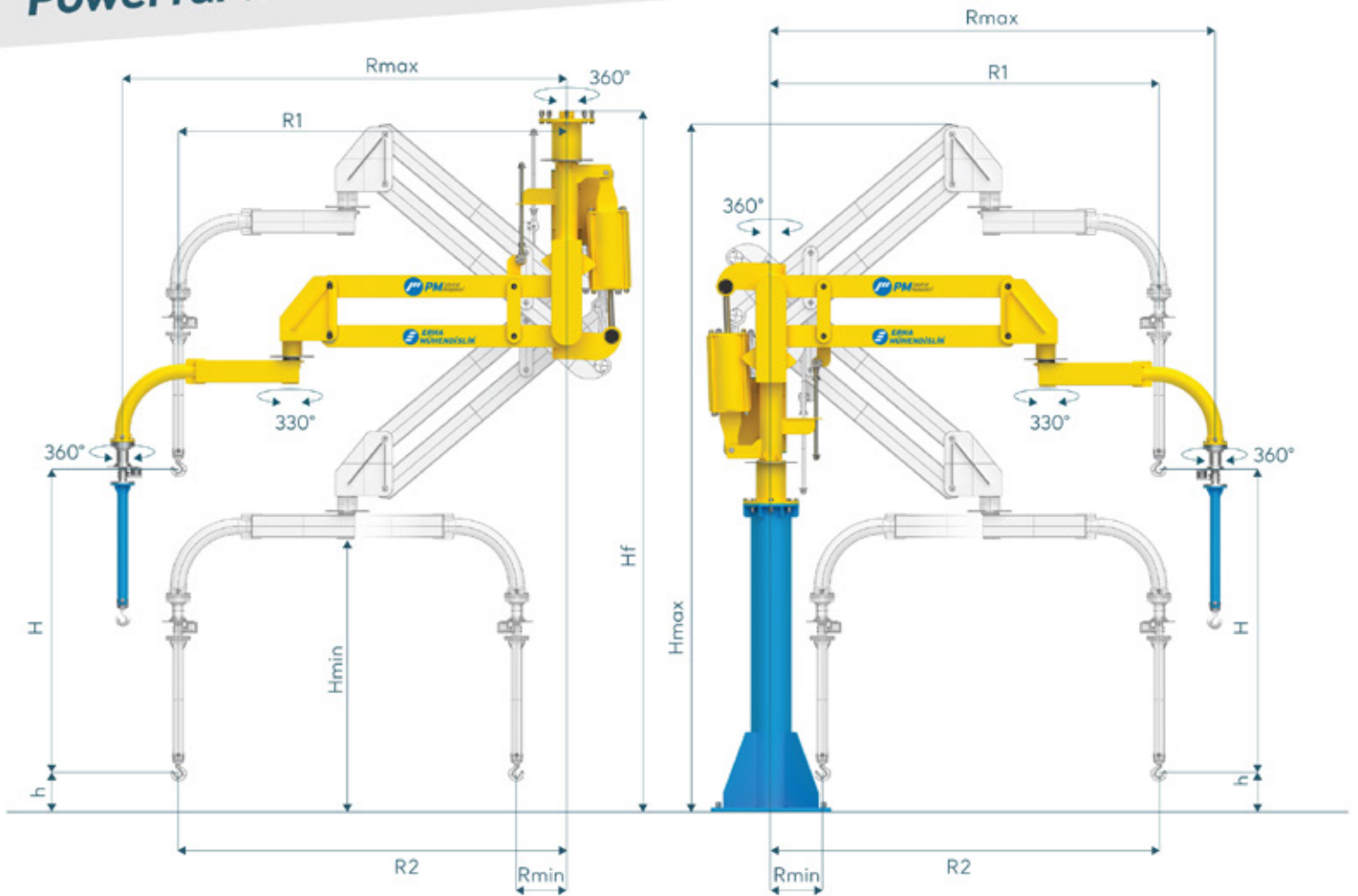
### Powerful Overhead Mounted PT



### Powerful Overhead Trolley Mounted PTA

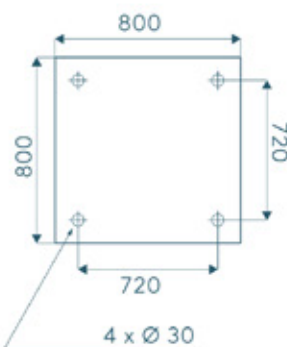


## Powerful Technical Details



Weight Capacity / kg		750	570	425	320	240
Max. Radius / mm	Rmax	2500	3000	3500	4000	4500
Min. Radius / mm	Rmin	755	850	1000	1150	1300
Vertical Lift / mm	H	1600	1900	2300	2450	2450
Min. Vertical Lift / mm	*h	200	200	200	200	200
Max. Height / mm	*Hmax	4215	4370	4560	4755	4950
Max. Ceiling Height / mm	*Hf	4200	4900	5000	5100	5100
Min. Height / mm	*Hmin	2000	2000	2000	2000	2000
Radius 1	R1	2195	2635	3060	3485	3915
Radius 2	R2	2195	2635	3060	3485	3915

\* Marked dimensions can change according to the customer request.



Mounting Plate Dimensions (mm)